

Commercial vehicles

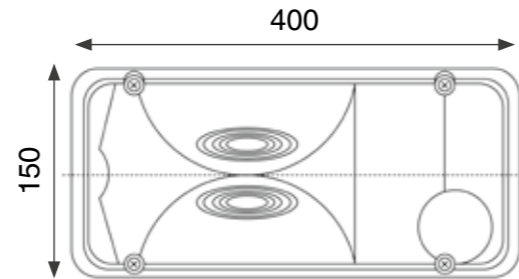
01

Multi-chamber light MAN

LC8 with rear reflector, blue lighting panel and side connector plug AMP 1.5

Item no.

1006-47-11	left with license plate lighting
1006-47-12	right without license plate lighting
1006-47-111	Light lens left red/blue
1006-47-121	Light lens right red/blue
1006-47-112	Light lens left red/white
1006-47-122	Light lens right red/white



01

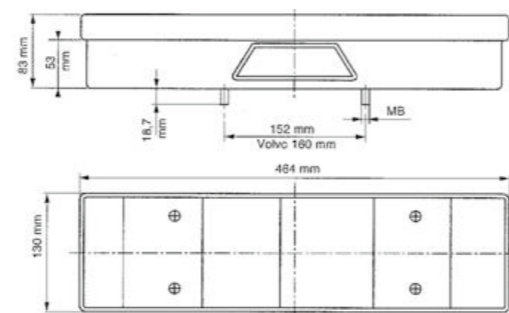
02

6-chamber light MAN

Centre, with MAN compact plug, can be retrofitted to LED technology with Glowpoint base (3720-075-15)

Item no.

1006-36-292	Lighting panel with rear reflector
1006-41-11	Right, with MAN compact plug without number plate light
1006-41-12	Left, with number plate light and with MAN compact plug



02

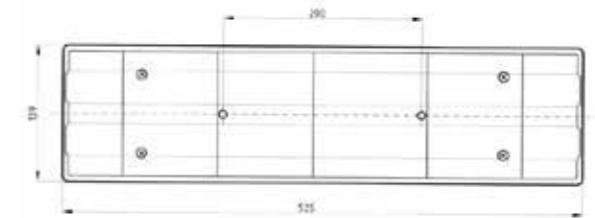
03

6-chamber light

Mercedes-Benz Actros with side compact plug, can be retrofitted to LED technology with Glowpoint base (3720-075-15)

Item no.

1006-37-11	Left, with number plate light
1006-37-12	Right, without number plate light
1006-36-191	Lighting panel left
1006-36-192	Lighting panel right



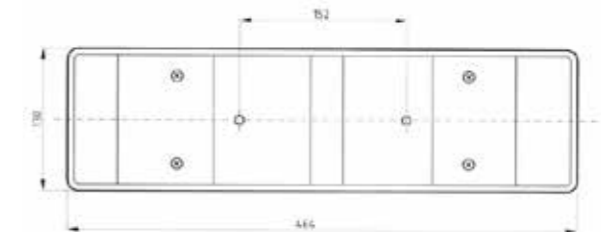
03

04

Light lens with rear reflector for 6-chamber TGA lights

Item no.

1006-36-292	Lighting panel with rear reflector
-------------	------------------------------------



04

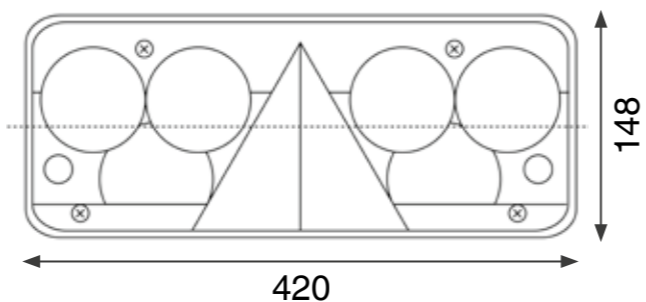
01

Multi-chamber light (Europoint II)

With 7-pin central plug

Item no.

1006-39-61	left
1006-39-71	right
1006-39-81	Lighting panel



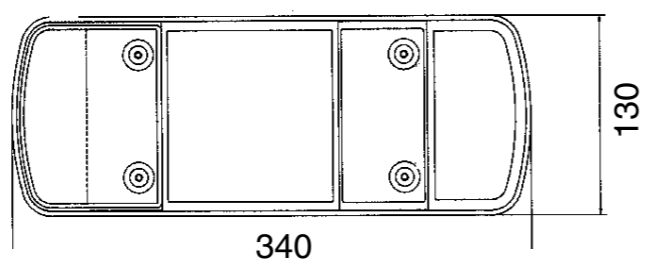
02

Multi-chamber light

Mercedes-Benz Atego with plug connection on rear of housing

Item no.

1006-46-21	Right/Left without number plate light
1006-46-22	left with license plate lighting
1006-46-29	Lighting panel right/left



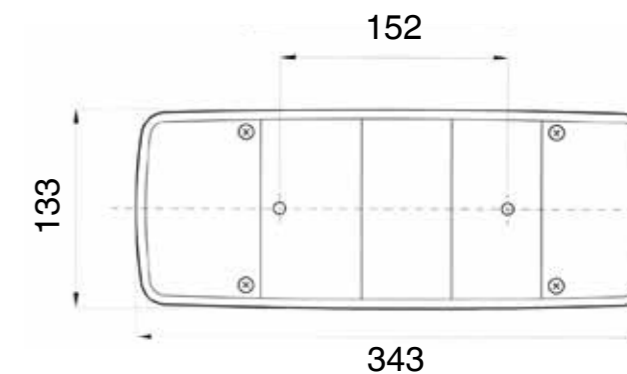
03

5-chamber light

Universal, with gland

Item no.

1006-35-11	left with license plate lighting
1006-35-13	right without license plate lighting
1006-35-19	Light lens for 5-chamber light



01

Multi-chamber light, Europoint II

Schmitz design, ADR tested

► **Product description**

- Clear glass appearance, with integrated triangular rear reflector
- Brake light, indicator light, rear fog light, reversing light with bulbs
- Tail light fitted with LED bulb
- All functions also available with LED technology
- 4 x 2-pin connections on the rear for additional functions (ASS1 / ASS2 plug)
- 1 x 7-pin central plug, central (ASS2 plug)

- Dimensions:
- W = 420 mm
- H = 148 mm
- D = 85 mm



01

Item no.

1006-48-11 Left

02

4-chamber light

MB-Krone-Schmitz

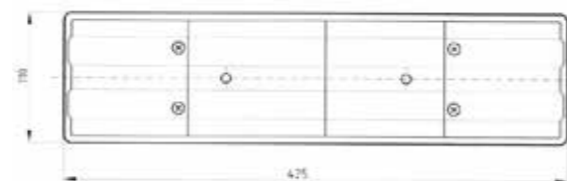
Item no.

1006-34-11 Left with rear fog light

1006-34-12 Right with reversing light



02



03

Multi-chamber light (Europoint I)**Item no.**

1006-39-11 Left with number plate light (gland seal)

1006-39-21 right (gland)

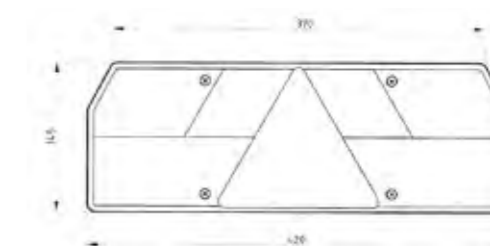
1006-39-31 Left with compact plug and number plate light

1006-39-41 right with compact plug

1006-39-51 Light lens for multi-chamber light Europoint



03



04

Multi-repair set plug

7 pole

► **Product description**

- These 7-pin compact plugs are required for mounting Europoint I and II rear lights
- and fit both the left (yellow) and right (green) sides
- Required for the following multi-chamber lights:
Europoint I multi-chamber light (article no.: 1006-39-31, 1006-39-41)
Europoint II multi-chamber light (article no.: 1006-39-61, 1006-39-71)

Item no.

1006-46-31 Right



04

01

LED rotating beacon

with magnetic base, orange, 12V/24V

► Item no. 1006-50-1

► Technical specifications

- vibration-resistant
- shock and impact resistant housing
- double flash function
- 3 m coiled cable with cigarette lighter plug
- for mobile variable use
- prewired
- magnetic base
- low heat generation
- No approval required with E-approval mark
- equipped with high-power LED
- ECE R65
- Operating voltage: 12V and 24V
- Power consumption of 14W
- waterproof IP66 / IP68



01

02

LED rotating beacon

screwable, orange, 12V/24V

► Item no. 1006-50-2

► Technical specifications

- vibration-resistant
- shock and impact resistant housing
- double flash function
- screwable, tubular push-on version
- for mobile variable use
- prewired
- magnetic base
- low heat generation
- No approval required with E-approval mark
- equipped with high-power LED
- ECE R65
- Operating voltage: 12V and 24V
- Power consumption of 14W
- waterproof IP66 / IP68



02

03

LED five-chamber light round 12/24V

Rear positioning light / brake light / rear indicator light / reversing light / fog light

► Item no. 1004-70-5

► Technical specifications

- Unique design
- High-performance LED technology
- Functions: light, brake light, indicator light, rear fog light, reversing light
- Operating voltage from 9-36 V
- With E-test mark
- Diameter 140 mm
- Height 25 mm
- Two M6 stay bolts on the reverse for fastening (drill hole spacing 45 mm)
- 2-m-long connecting cable



03

04

LED three-chamber light round 12/24V

Rear positioning light / brake light / rear indicator light

► Item no. 1004-70-4

► Technical specifications

- Unique design
- High-performance LED technology
- Functions: light, brake light, indicator light
- Operating voltage from 9-36 V
- With E-test mark
- Diameter 140 mm
- Height 25 mm
- Two M6 stay bolts on the reverse for fastening (drill hole spacing 45 mm)
- 2-m-long connecting cable



04

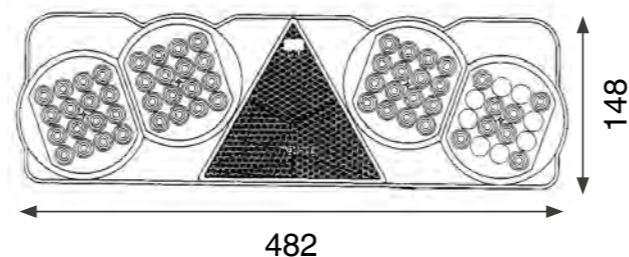
01

LED chambered lighting unit

Universal, for trailers, combination light, rear positioning light, fog light, reversing light, brake light, rear indicator light, reflector

Item no.

1004-80-2 left



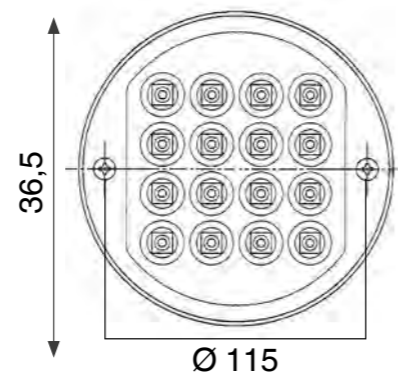
02

LED multi-chamber light

Universal

Item no.

1004-70-2 Back-up light
(Blinker, Bremslicht, Schlusslicht)

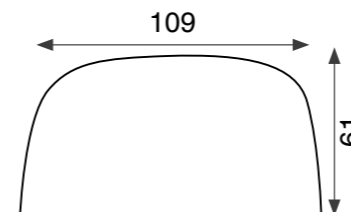


03

LED license plate lighting

12-24 V, right and left

► Item no. 1004-60-2

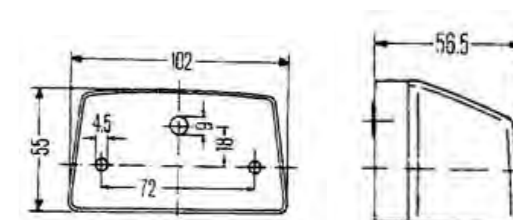


04

License plate lighting

12-24 V, black

► Item no. 1006-10-22

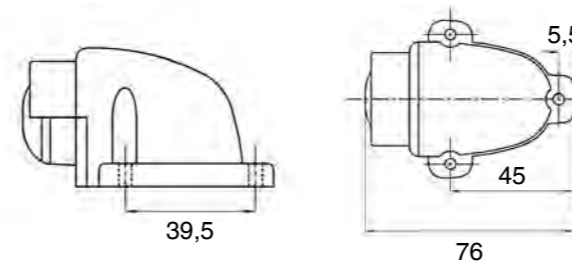


05

LED license plate lighting

24 V

► Item no. 1004-60-1

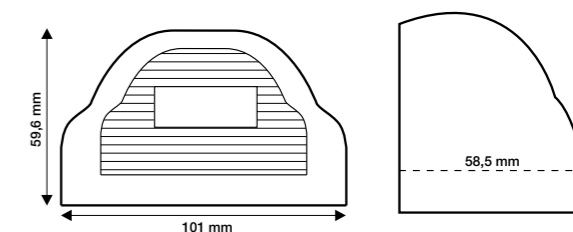


06

LED number-plate light, 12V and 24V

for cars and commercial vehicles

► Item no. 1006-10-23





01

LED work light, 5400 Lm

Suitable for 12V - 24V

► Item no. 1004-90-8

► Product description

- Fitted with 12 high-performance LEDs
- Light intensity: approx. 5400 Lumen
- Diffuse light
- Operating voltage: 11.5 V to 33 V
- Pre-cabled (approx. 2.5 m supply cable with 2x1.5mm² black/plus white/minus)
- Water-resistant IP66 IP68
- W / H / D 110 x 159 x 85mm
- Impact-resistant aluminium housing
- Low heat build-up
- Includes universal stainless-steel mounting bracket
- No approval required, has E-test mark
- For cars and commercial vehicles



01

02

LED worklight 3000 Lm

with German plug

► Item no. 1004-90-9

► Technical specifications

- Luminosity 3000 lm (9 LED)
- 2.5 m supply cable
- German Plug 2 Pin Assignment
- 36 Watt Consumption
- 12-33 volts
- Theoretical luminous flux 3375 lm
- Stainless steel base for mounting
- IP 66
- weight: 1,05 kg
- Housing: Aluminum
- radio interference suppression according to EMV R10



02

NEW

03

LED worklight 2000 Lm

for 12 V and 24 V suitable

► Item no. 1004-90-10

► Technical specifications

- Betriebsspannung: 10 V bis 36 V
- Zulassungsfrei mit E-Prüfzeichen
- mit 25 Hochleistungs-LED bestückt
- Lichtintensität: 2000 Lumen
- Streulicht
- Leistungsaufnahme: 18 Watt
- stoßfestes PP-Kunststoffgehäuse
- geringe Wärmeentwicklung
- wasserfest IP66 IP68
- vorverkabelt (ca. 2,5 m FLRYY 2x1,5mm² Zuleitung)
- inkl. Edelstahl-Universal-Montagehalter
- Breite Lampenkörper: 101 mm
- Höhe inkl. Fuss: 147,5 mm



03

NEW



01

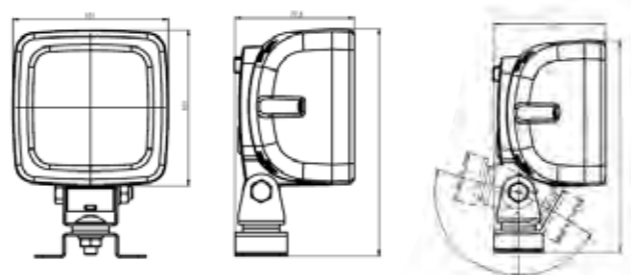
LED worklamp, 12/24 Volt

Operating voltage: 10 V to 36 V

► Item no. 1004-90-6

► Product description

- Fitted with 12 genuine Osram high-performance LEDs
- Light intensity: 2,400 lumen
- Diffuse light
- Power input: 17 W
- Impact-resistant PP plastic housing
- Low heat build-up
- Water-resistant IP66 IP68
- Pre-cabled (approx. 2.5 m supply cable)
- Includes universal mounting bracket
- No approval required, has E-test mark
- For cars and commercial vehicles
-
- Height of lamp body: 101 mm
- Width of lamp body: 101 mm
- Height including foot: 160 mm
- Width including foot: 121 mm
- Diameter of foot: 121 mm



02

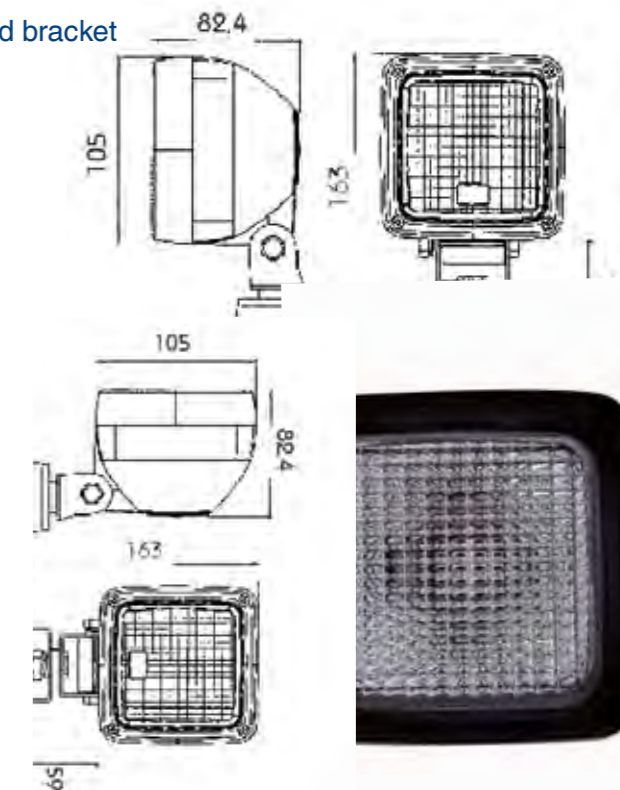
H3 work light 12V/24V

With glass diffusion lens to illuminate large areas, u-shaped bracket

► Item no. 1006-38-3

► Product description

- No cables
- No bulbs
- With glass diffusion lens
- For large-scale, intensive near-field illumination
- U-bolt fastening
- Small, compact structure
- PK 22s / H3
- 12/24 Volt
- Connection on the rear of the housing
- ADR inspected, IP54



03

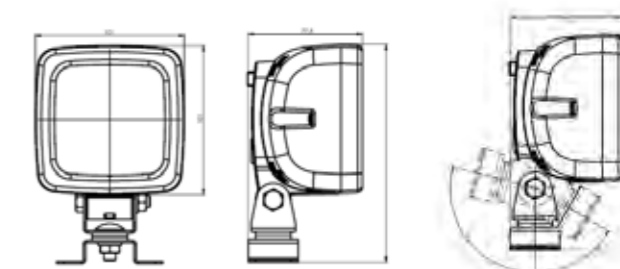
LED worklamp, 12V/24V

Operating voltage: 10 V to 36 V

► Item no. 1004-90-7

► Product description

- No approval required, has E-test mark
- Fitted with 12 genuine Osram high-performance LEDs
- Light intensity: 2,400 lumen
- Diffuse light
- Power input: 17 W
- Impact-resistant PP plastic housing
- Low heat build-up
- Water-resistant IP66 IP68
- Pre-cabled (approx. 2.5 m supply cable)
- Includes universal mounting bracket
-
- Height of lamp body: 101 mm
- Width of lamp body: 101 mm
- Height including foot: 160 mm
- Width including foot: 121 mm
- Diameter of foot: 121 mm



01

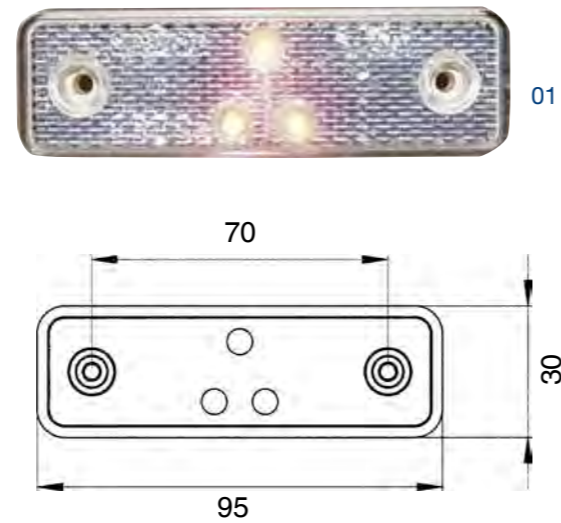
LED profile light

24V/0.8W

▶ Item no. 1006-10-33

▶ Product description

- Cable length 0.5 m
- With reflector
- White
- 90° cable connection in hot-melt method
- ADR-tested, IP 54
- 24 Volt
- 0.8 Watt



02

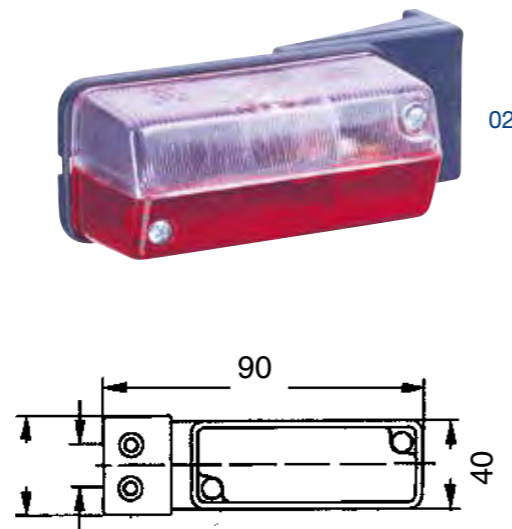
Outline marker lighting

flexible holder

▶ Item no. 1006-10-20

▶ Product description

- Spacing for M5/15 mm
- With bracket
- Light lens red/white



03

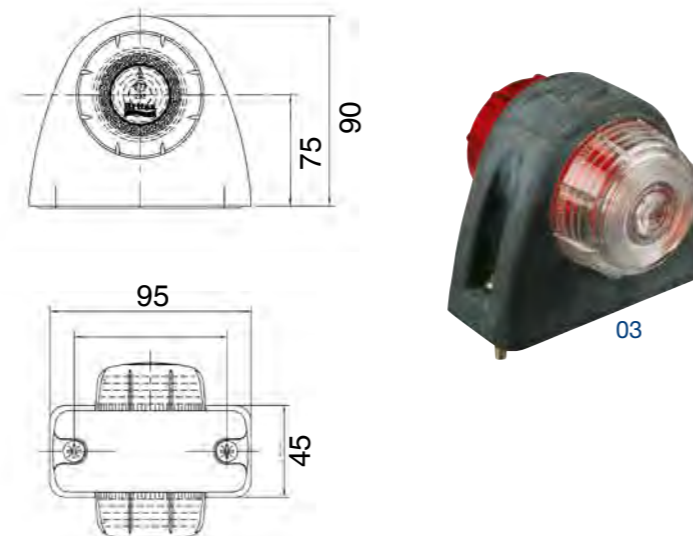
outline marker lighting

Block

▶ Item no. 1006-10-1

▶ Product description

- With screws
- M5
- Spacing 70 mm



04

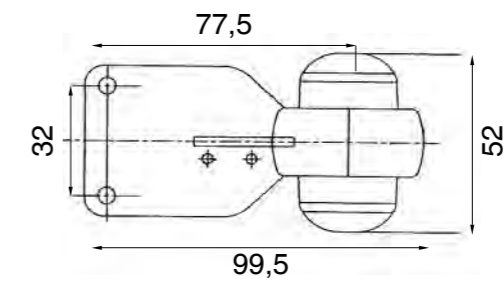
LED outline marker lighting

12V/24V

▶ Item no. 1004-90-1

▶ Product description

- With flexible pendular bracket
- Lateral
- Universal application
- Cable length approx. 20 cm



05

LED outline marker lighting set

waterproof, angular

▶ Item no. 1006-13-1

▶ Product description

- Waterproof
- Light emission: red/white/yellow
- Flexible mount housing
- Light lens made of break-proof polycarbonate
- ADR inspected
- 12-24 V / 24V-1W
- Hole spacing of fastening: 78 mm
- Cable length: 1.75 m



06

LED clearance light 12 V - 24 V

▶ Item no. 1004-90-3

▶ left

▶ Item no. 1004-90-4

▶ right



01

LED outline marker lighting

Block

▶ Item no. 1004-50-1

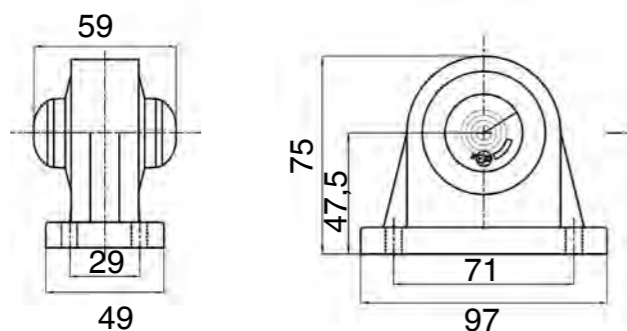
▶ Product description

- 12 V/24 V

- Installation side: left



01



02

LED outline marker lighting

▶ Light emission red/white, with 1.75m ADR cable item no. 1006-10-31

▶ with pendulum holder

▶ Item no. 1006-10-32

▶ with pendulum holder 90°

▶ Product description

- With flexible mounting case

- Light lens unit made from shatterproof PC

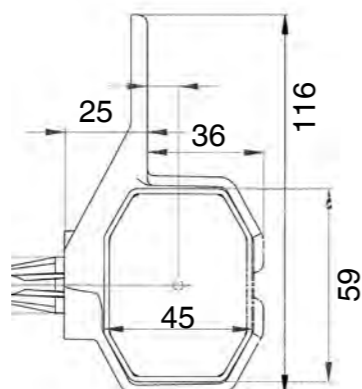
- Spacing 15 mm and 30 mm

- For M6 fastening screws

- GGVS approved



02



03

LED lights

waterproof

▶ Item no. 1006-12-110

▶ Angled

▶ Item no. 1006-10-3

▶ with mountable casing

▶ Item no. 1006-12-19

▶ LED light unit

▶ Product description

- With flexible mounting casing

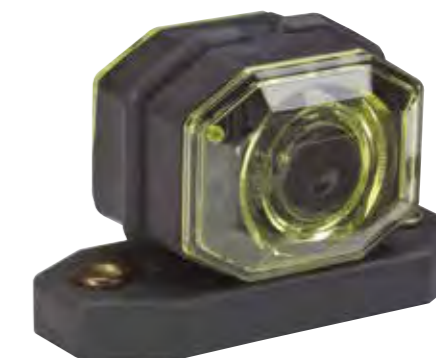
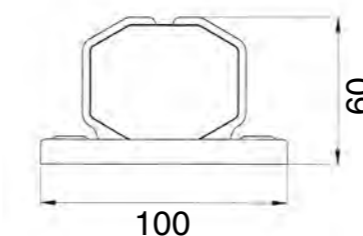
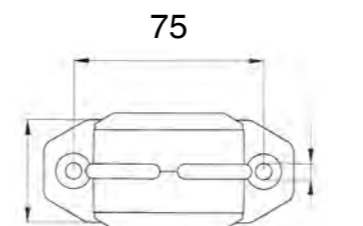
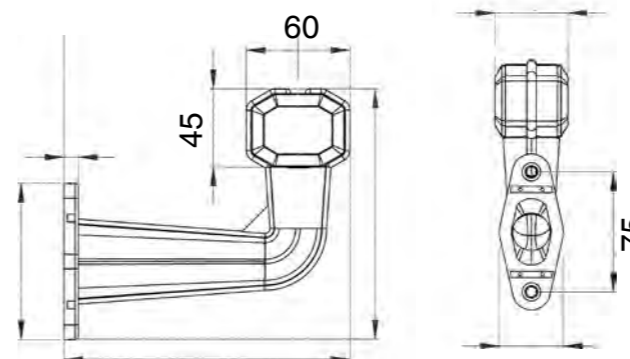
- Light lens unit made from shatterproof PC

- For M6 fastening screws

- GGVS/ADR approved



03



01

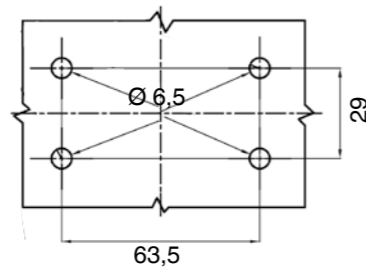
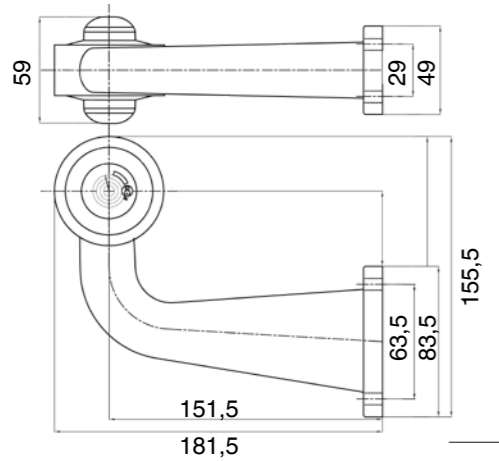
LED marker lighting 12 V + 24 V
 angled

Item no.

1004-50-3	left
1004-50-4	right



01



02

LED retrofit kit
 12-24 V

► Item no. 1004-50-5

► Product description

- LED retrofit assembly for article nos.:
- 1004-50-3
- 1004-50-4
- 1006-11-23
- 1006-11-21



02

03

Marker lighting

Item no.

1006-11-23	angled
1006-11-24	Spare socket
1006-11-253	Light lens red diameter 55 mm
1006-11-254	Light lens transparent diameter 55 mm



03

04

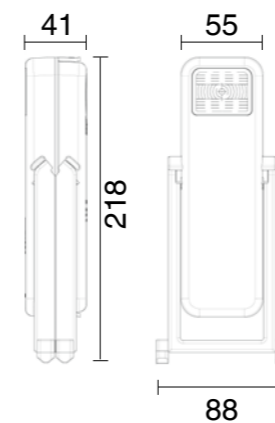
LED warning signal lighting

Operating mode: Flashing light/Permanent light/Battery test

► Item no. 1003-230

► Product description

- Power supply: 2 mono-cell batteries 1.5 V (NF art. no. 3722-01)
- Operating voltage: 1.8 V-3.1 V
- Approval: TÜV-tested K452, GGVS tested
- Dimensions: 90 mm x 208 mm x 30 mm
- Weight: 480 g



04

01

LED hazard warning light for lifting platforms

12/24 V

► Item no. 1001-188-1

► Technical specifications

- small design
- robust metal housing
- intensive light exploitation
- E-mark
- 12 V and 24 V
- prewired
- supply cable 3 x 1,5
- 30 cm long



02

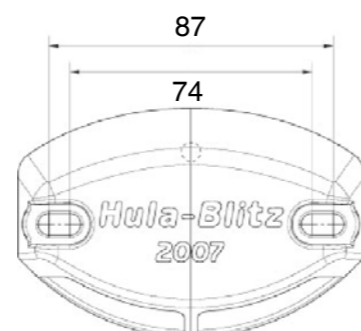
Flash warning signal lighting unit

With 2 LEDs

► Item no. 1001-186-1

► Product description

- Operating voltage: 12 V/24 V
- Power: 3 W
- Dimensions: 105 mm x 68 mm
- Connection: Cable 2x 0.75 mm², 0.20 m long, grey
- Installation height: 16 mm
- Two long slots for fastening
- Compatible with almost all LED platform lights



03

Blitz-hazard warning light mini

With 4 LEDs

► Item no. 1001-187-1

► Product description

- Flashes to the rear and the side
- Completely flat
- Operating voltage: 12 V/24 V
- Power: 4 W
- Dimensions: 85 mm x 85 mm x 110 mm
- Weight: 12 mm
- For securing tail-lifts



04

Flash warning signal lighting unit

Hula-Blitz

► Item no. 1001-184-1

► Product description

- Incl. lamp
- Zinc diecast upper part
- Tested to GGVS
- Quality: OEM
- For securing tail-lifts



05

Flash warning signal lighting unit

with 12 LEDs, 24V

► Item no. 1001-185-1

► Product description

- Life of LED: over 10,000 operating hours
- Diode block: waterproof and dustproof
- Diecast zinc upper section
- 12 cm connection cable
- Tested to GGVS
- For securing platform lifts



01

Side reflector

90 x 40 mm, with adhesive back

- ▶ Item no. 1001-180-41
- ▶ orange/yellow

- ▶ Item no. 1001-180-42
- ▶ red

- ▶ Item no. 1001-180-421
- ▶ white

- ▶ Product description
- Drill hole spacing 70 mm
- Drill hole M5
- Hole diameter [mm] 4.2
- Height [mm] 40
- Width [mm] 40
- Length [mm] 90



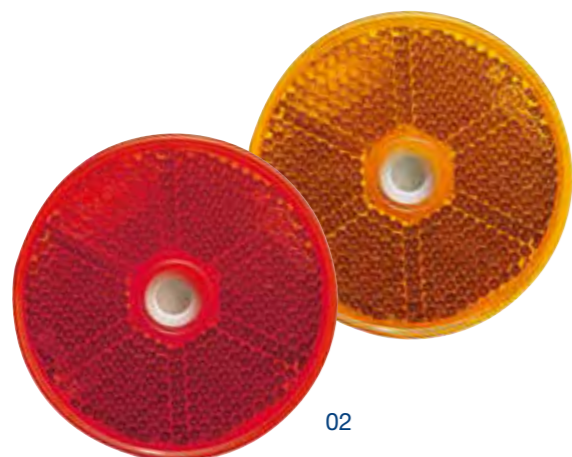
02

Side reflector

Ø 60 mm, with adhesive backing, 6 mm drill hole

- ▶ Item no. 1001-180-43
- ▶ orange/yellow

- ▶ Item no. 1001-180-44
- ▶ red



03

Rear reflector

Diameter 90 mm

- ▶ Item no. 1001-180-45

- ▶ Product description
- With M5 nut and bolt
- Red



04

Triangular rear reflector

1-piece

- ▶ Item no. 1001-180-50

- ▶ Product description
- for M6 fastening
- Hole diameter: 5.2 mm
- Drill hole spacing: 70 mm
- Width: 160 mm
- Length: 139 mm
- Height: 8.5 mm



05

Triangular rear reflector

4-piece

- ▶ Item no. 1001-180-51

- ▶ Product description
- 4 individual reflectors
- Stable plastic housing
- Incl. 2 fastening screws M 5 x 15 mm
- Drill hole spacing: 70 mm
- Length: 155 mm
- Width: 175 mm
- Height: 13 mm



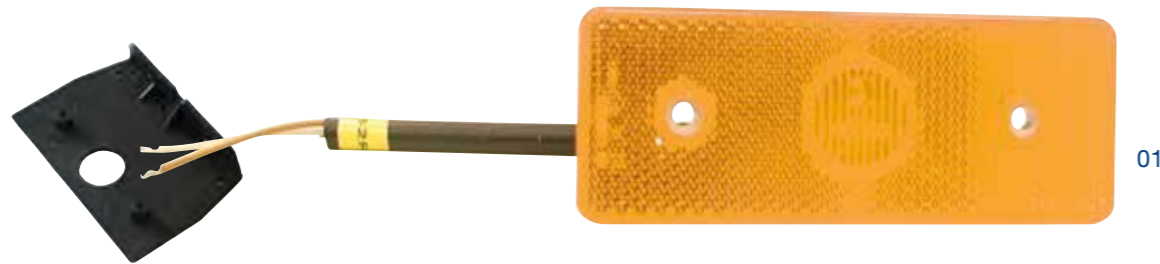
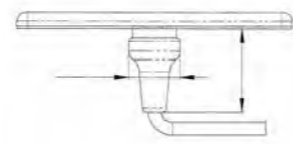
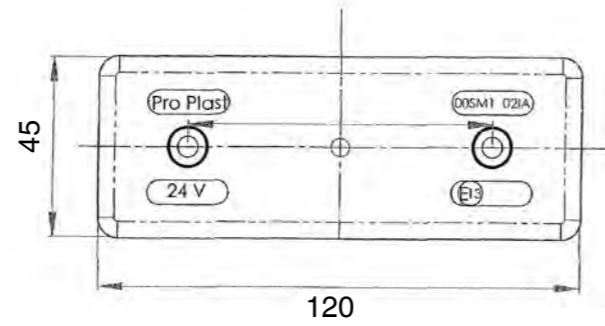
01

LED side marker lights
24V/1W

- ▶ Item no. 1001-179-6
- ▶ Lighting unit

- ▶ Item no. 1001-179-69
- ▶ Holder

- With cable
- Depth: 7 mm
- Borehole: M5
- Centre hole: 25 mm



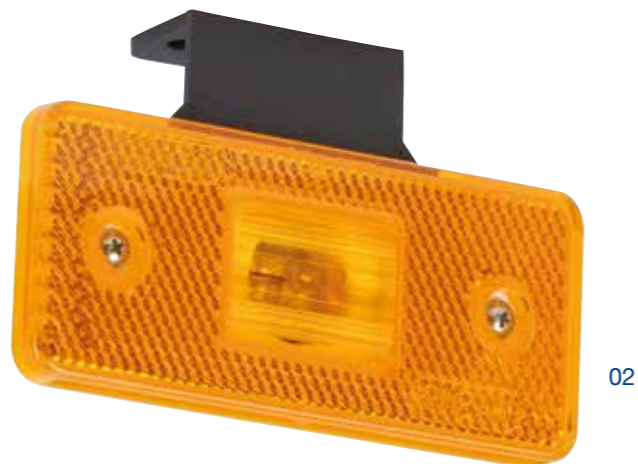
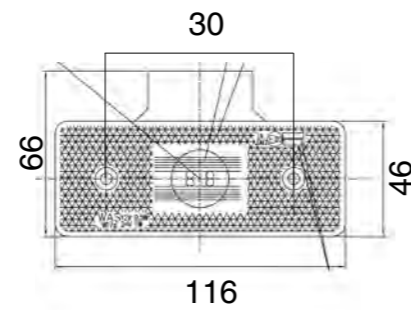
01

02

LED side marker lights
Universal, 12/24 V, with bracket, 12/24 V

- ▶ Item no. 1004-20-1

- ▶ Product description
- Hole spacing: 30 mm



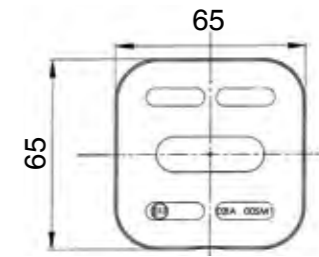
02

03

LED side marker lights
with bracket and cable (MAN), 24 V

- ▶ Item no. 1001-179-7

- ▶ Product description
- With rear reflector
- Repair variant
- Cable length 0.5 m

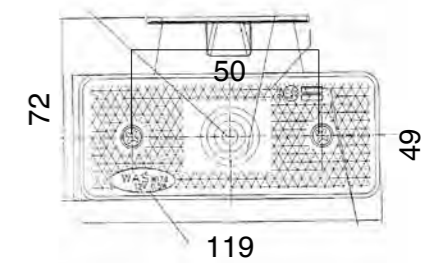


03

04

LED side marker lights
Universal, 12/24 V

- ▶ Item no. 1004-40-1



04

01

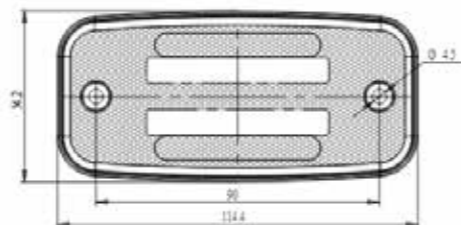
LED side marker light with flashing function

12 V/24 V, including holder and cable

► Item no. 1004-40-6

► Technical specifications

- IP 66/68
- ECE approval
- Cable length: 22 cm
- Cable: LGY-S 3 x 0,5 mm²
- width: 114,4 mm
- height: 54,2 mm
- depth: 22,3 mm
- Hole spacing: 90 mm
- Hole diameter: 4.5 mm



02

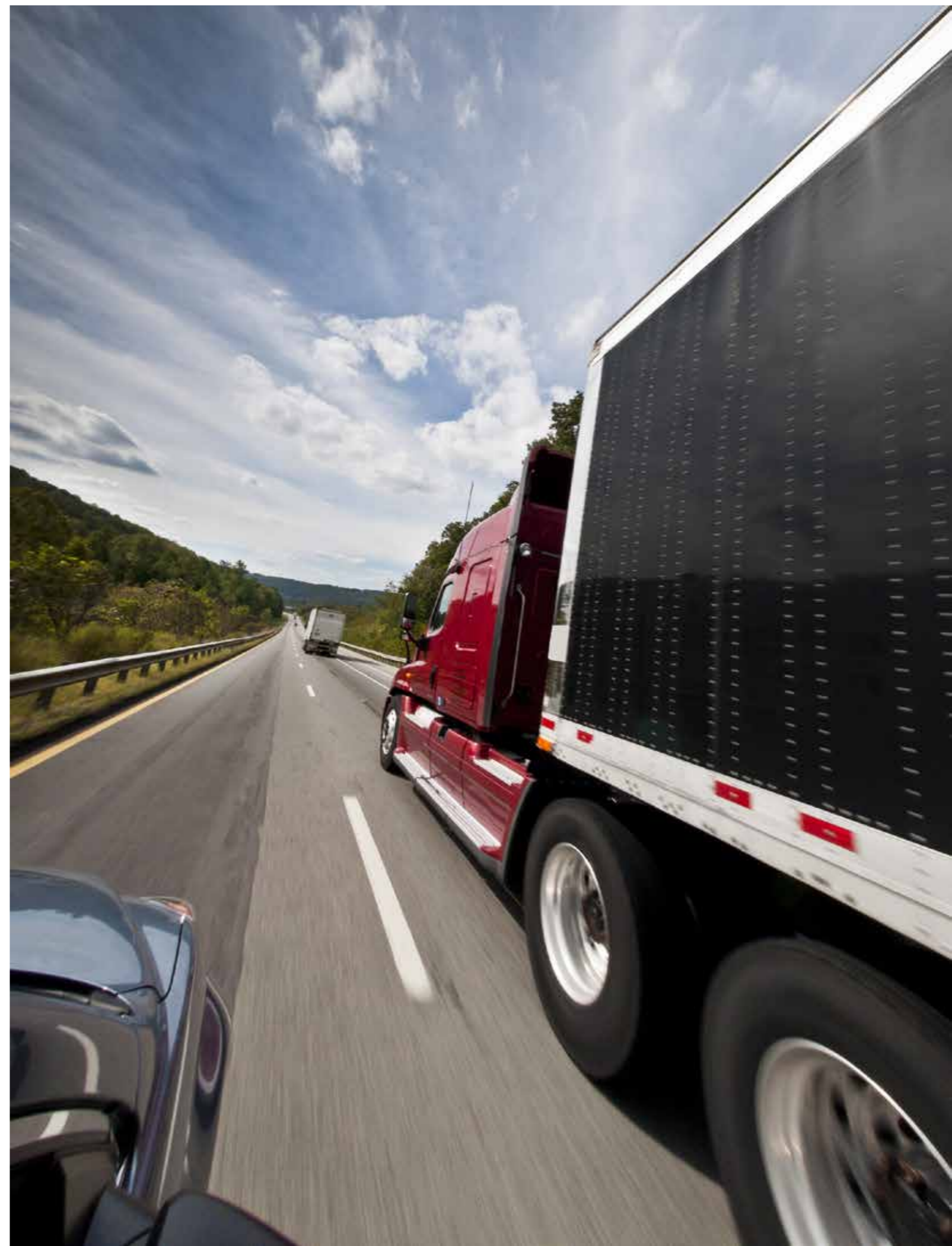
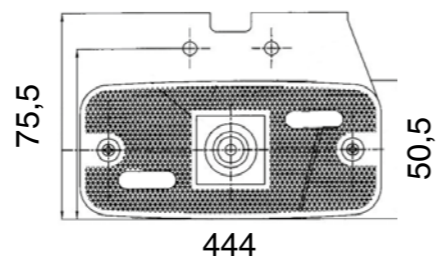
LED side marker lights

12-24 V, incl. holder and cable

► Item no. 1004-90-2

► Product description

- Diode light
- Wires: 22 cm - 0.75 mm²



01

Warning mark

For containers

▶ Item no. 1001-181-1

▶ Product description

- According to Section 32 (1) no. 27, 49 (4) no. 4
- Film type: type II
- Colour: red/white
- Material: plastic film
- Contents: 4 x pointing left, 4 x pointing right
- 705 mm x 141 mm
- Original 3M
- Type II, DIN 67520, Colour DIN 6171



01

02

Warning mark ECE 70

For tractor units (class 2)

▶ Item no. 1001-181-4

▶ Product description

- Aluminium model
- Film type: type II
- Colour: yellow/orange
- Standard: ECE 70
- 565 mm x 130 mm x 1.0 mm



02

03

Warning marks

For trailers and semitrailers

▶ Item no. 1001-181-2

▶ Item no. 1001-181-3

▶ Product description

- Dimensions: L 570 mm/W 200 mm
- Film type: type II
- Colour: yellow/orange
- E4 007009



03

04

3M contour marking tape

According to the regulations UN/ECE R 104

▶ Item no. 1001-183-05

▶ yellow

▶ Item no. 1001-183-06

▶ white

▶ Item no. 1001-183-04

▶ Red

▶ Item no. 1001-183-10

▶ Item no. 1001-183-08

▶ Item no. 1001-183-09

▶ Product description

- For solid structures
- Adheres to painted, smooth surfaces
- Width: 50 mm, roll length: 50 m



04



05

Edge protection

45.7 m · 25 mm wide

▶ Item no. 1001-183-07

▶ Product description

- Edge-protection film, transparent
- Self-adhesive and simple to use
- For sealing vehicle warning marks, for example
- Protects against dirt, contamination and damage
- Weather-resistant and durable



05

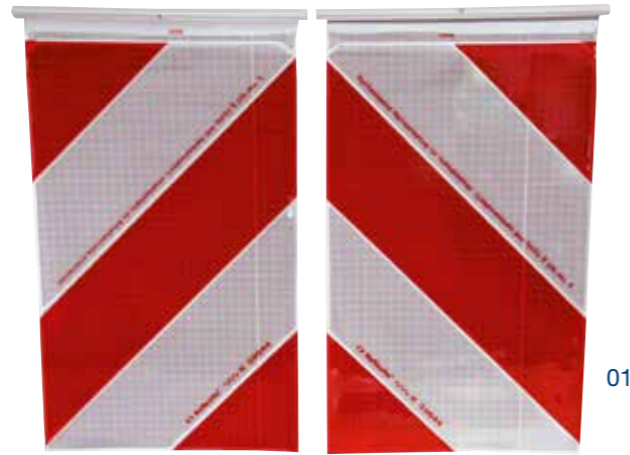
01

Hazard warning flag set

For tail-lifts

► **Product description**

- Dimensions: L 400 mm/W 250 mm
- According to Section 53b Paragraph 5 of the German Road Traffic Act (StVZO), 5
- Building authority approved
- Film type: type II
- Colour: red/white



01

Item no.

1001-182-9	Warning flag set with holder
1001-182-3	Aluminium holder
1001-182-1	Hazard warning flag (pointing left)
1001-182-2	Hazard warning flag (pointing right)

02

Warning mark

141 mm wide

► **Product description**

- According to Section 35 of the German Road Traffic Act (StVO)
- Design: Film
- Film type: Type II
- Colour: red/white
- Material: Plastic
- Attachment: self-adhesive
- 3M quality



02

Item no.

1001-183-02	Pointing right 45.7 m
1001-183-03	Pointing left 45.7 m
1001-183-0	Hazard warning mark set 144 mm x 9 m Contents: 1x9 m pointing left, 1x9 m pointing right

03

ADR warning sign

GGVS/ADR approved, foldable

► **Item no. 1001-181-5**► **Product description**

- Colour: orange
- Film type: Type I
- Dimensions 400 mm x 300 mm
- With edge protection and hole at the top
- Material: Sheet steel



03

04

A warning sign

German waste warning sign

► **Item no. 1001-181-6**► **Product description**

- Colour: White
- Film type: Type I
- Foldable
- With edge protection



04

05

Parking warning sign

foldable, 285 x 285 mm

► **Item no. 1001-180-1**► **Front**► **Item no. 1001-180-3**► **Rear**► **Product description**

- Parking warning sign according to StVZO (Road Traffic Licensing Regulations) § 22a STV20 section 1 number 9
- 8-prism rear reflector
- Film type: Type III
- Colour: red/white
- Material: aluminium



05

01

Plug
15-pole

► Item no. 3555-310-150

- Product description
- With screwed contacts
 - GGVS/ADR tested
 - 15-pole
 - 24 V



02

Plug
7-pole

► Item no. 3555-310-70

- Product description
- With screwed contacts
 - GGVS/ADR tested
 - 7-pole
 - 24 V



05

Plug
3 pole

► Item no. 3555-310-6

- Product description
- With screwed contacts
 - Type S
 - Power rating: 20 A to 24 V
 - Plastic
 - 3-pole
 - 24 V



06

Socket
7-pole

► Item no. 3555-310-7

- Product description
- With screwed contacts
 - GGVS/ADR tested
 - 7-pole
 - 24 V



03

Plug
7-pole

► Item no. 3555-305-589
► Plastic

► Item no. 3555-305-587
► Metal

- Product description
- Power rating: 20 A to 24 V
 - Length: 116 mm
 - Type N / "Light"
 - With screwed contacts



04

Plug
7-pole

► Item no. 3555-305-588
► Plastic

► Item no. 3555-305-586
► Metal

- Product description
- Power rating: 20 A to 24 V
 - Length: 116 mm
 - Type S / "Auxiliary consumer"
 - With screwed contacts



07

Power outlet
7-pole

► Item no. 3555-305-287

- Product description
- With screwed contacts
 - Rubber seal in the cover
 - Type N
 - Load rating: 20 A to 24 V
 - ISO 1185 K-pin
 - 7-pole
 - 24 V



08

Power outlet
7-pole

► Item no. 3555-305-286

- Product description
- With screwed contacts
 - Rubber seal in the cover
 - Type S
 - Load rating: 20 A to 24 V
 - ISO 3731 K-jack
 - 7-pole
 - 24 V



01

Power outlet

3 pole

▶ Item no. 3555-310-60

▶ Product description

- With screwed contacts
- Type S
- Power rating: 20 A to 24 V
- Plastic
- ISO 1185 K
- 7-pole
- 24 V



01

02

Power outlet

15-pole

▶ Item no. 3555-310-15

▶ Product description

- With screwed contacts
- GGVS/ADR tested
- 15-pole
- 24 V



02

03

LED check device

Shunt resistor for vehicles with on-board computer

▶ Item no. 1006-46-34

▶ Product description

- For commercial vehicles with on-board computers and voltage monitoring
- for retrofitting to LED lights
- Nominal voltage: 24V
- Wattage at nominal voltage: 8.4W
- Cable length (2-core): 1 metre
- For replacing max. 3 bulbs (5W) with LED modules
- IMPORTANT! Becomes hot >100°C in continuous use. Select outside installation site!



03

04

Short adapter

15-pole to 7-pole

▶ Item no. 3555-320-52

▶ Product description

- Adapter from 15-pole to 7-pole
- ISO 12098
- Plastic
- 24 V



04

01

Coil

7-pole

▶ Item no. 3555-320-43

▶ Product description

- Working length: 3.0 m
- Material: PUR
- Recoiling force complies with OEM regulations
- With waterproof plugs
- Type S - 3731
- 6 sockets, 1 pin



02

Coil

7-pole

▶ Item no. 3555-320-42

▶ Product description

- Working length: 3.0 m
- Material: PUR
- Recoiling force complies with OEM regulations
- With waterproof plugs
- Type N
- Tightly wound



03

EBS helix cable

7-pole

▶ Item no. 3555-320-45

▶ Product description

- Working length: 3.5 m
- Material: PUR
- Recoiling force complies with OEM regulations
- Tightly wound



04

Coil

15-pole

▶ Item no. 3555-320-50

▶ Product description

- Working length: 3.5 m
- With clamped connection
- Material: PUR
- Recoiling force complies with OEM regulations
- Tightly wound



01

Adapter helix cable

15 pole to 2 x 7 pole

► Item no. 3555-320-53

► Product description

- For the power supply from new truck tractors to older trailers
- 13 pole wired according to standards
- Overmoulded plug type „N“ and type „S“
- Working length: 3.5 m
- Material: PUR
- Recoiling force complies with OEM regulations
- Tightly wound
- 24 V



02

Adapter helix cable

15 pole to 2 x 7 pole

► Item no. 3555-320-51

► Product description

- 13 pole
- Working length: 3,5 m
- Type N/S
- Material: PUR
- Recoiling force complies with OEM regulations
- Tightly wound
- 24 V



03

Junction box, junction box

8-fold

► Item no. 1004-100-1

► Technical specifications

- 8-pin cable junction box
- with 32 flat plugs
- 4-row
- waterproof housing
- Lid material: aluminium
- Housing material: Polyester BMC
- Closure: 2 clamping brackets
- Dimensions (L x W x H): 150 mm x 93 mm x 45 mm
- Mounting: 2 holes Ø 5.5 mm
- Centre distance (mm) 90,0



04

Distribution box

16-fold

► Item no. 1004-100

► Product description

- GGVS/ADR inspected
- 16-fold



01

Battery clamps

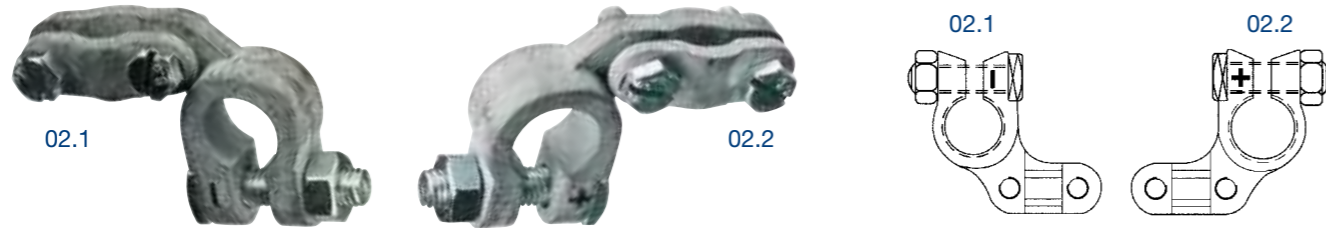
Item no.	Model	Max. cable connection	Figure
3510-19	+ on the right	70 mm ²	1
3510-20	- on the left	70 mm ²	2



02

Battery clamps

Item no.	Model	Max. cable connection	Figure
3510-6	- on the right	70 mm ²	1
3510-7	+ on the left	70 mm ²	2



03

Lantern battery

Block 4R25 6 Volt - 7 Ah

► Item no. 3722-60

► Product description

- 4-R25
- 6V
- 7Ah
- For use in construction-site flashing lights



03

04

Coupling head

Standard, without valve, e.g. for trailers

Item no.	Colour	Model
1005-50-01	yellow	M16
1005-50-02	red	M16
1005-50-03	yellow	M22
1005-50-04	red	M22
1005-52-03		Spare gasket



04

05

Coupling head

Automatic, with check valve

Item no.	Colour	Model
1005-51-01	yellow	M16
1005-51-02	red	M16
1005-51-03	yellow	M22
1005-51-04	red	M22



05

06

Handles

Set

▶ Item no. 1005-10-003

▶ Product description

- For M16 air coils



06

07

Threaded piece

with supply lines

Item no.	Model
1005-41-01	Short, M16
1005-41-02	M22 short
1005-41-03	M16 long
1005-41-04	M18 long



07



01

NF PU spiral

Hard wearing and flexible

▶ Item no. 1005-10-005

▶ red

▶ Item no. 1005-10-006

▶ yellow

▶ Item no. 1005-10-007

▶ Black

▶ Product description

- 21 windings (tightly wound diameter 80 mm)

- Steel anti-kink spring

- Max. working length 4.5 m

- Temperature range -40°C to +95°C

- Threaded piece M16 on both ends



01



02

PU coil

21 windings, hard-wearing and flexible

▶ Item no. 1005-10-001

▶ red

▶ Item no. 1005-10-002

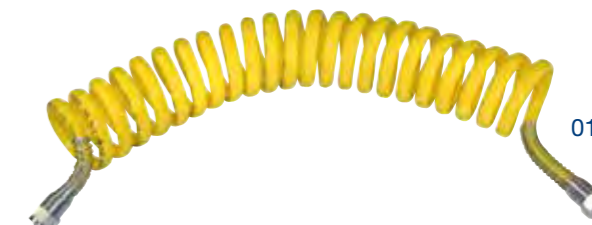
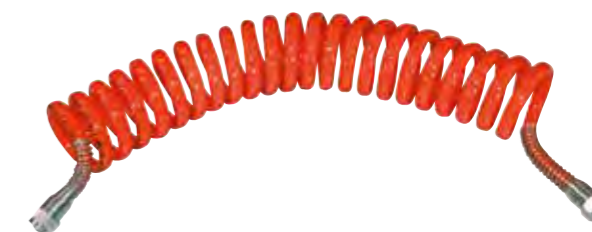
▶ yellow

▶ Product description

- Max. working length: 4.5 m

- With threaded end piece M16

- Temperature range -40°C to +95°C



01

01
Straight-line connector
Brass

Item no.	Model
1002-16-06	6 mm
1002-16-08	8 mm
1002-16-09	9 mm
1002-16-010	10 mm
1002-16-012	12 mm



02
T-connector
Brass

Item no.	Model
1002-14-06	6 mm
1002-14-08	8 mm



03
Reducer coupling
Brass

Item no.	Model
1002-8-6	6-8 mm
1002-10-6	6-10 mm
1002-10-8	8-10 mm
1002-12-8	8-12 mm
1002-12-10	10-12 mm



04
Straight-line connector
Plastic

Item no.	Model
1002-06-04	4 mm
1002-06-05	5 mm
1002-06-06	6 mm
1002-06-08	8 mm
1002-06-10	10 mm
1002-06-12	12 mm



05
Angle connector
Plastic

Item no.	Model
1002-02-06	6 mm
1002-02-08	8 mm



06
T-joint
Plastic

Item no.	Model
1002-04-04	4 mm
1002-04-06	6 mm
1002-04-08	8 mm



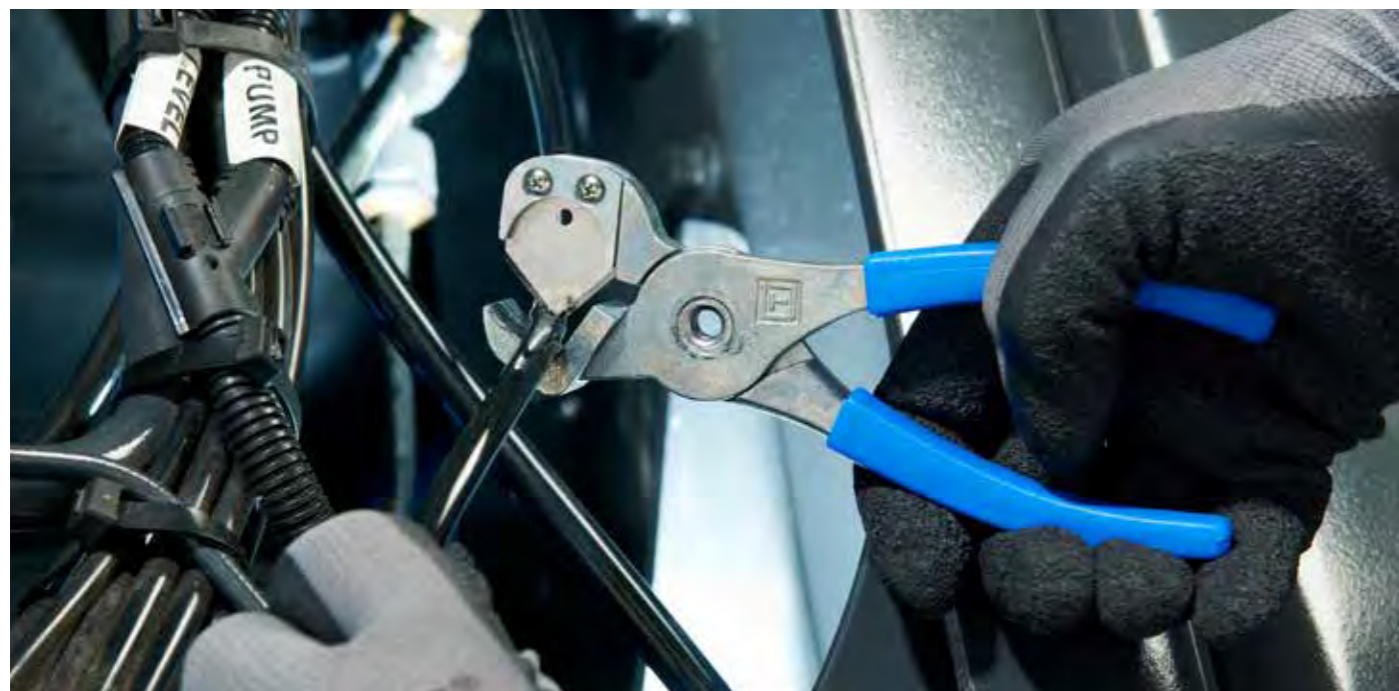
07
Assortment of direct connectors
Brass, plastic

► Item no. 1957-100-1

- Contents: 40 parts
- 5 x Plastic straight connector 4mm (art. no. 1002-06-04)
 - 5 x Plastic straight connector 5mm (art. no. 1002-06-05)
 - 5 x Plastic straight connector 6mm (art. no. 1002-06-06)
 - 5 x Plastic straight connector 8mm (art. no. 1002-06-08)
 - 5 x Brass straight connector 10mm (art. no. 1002-16-010)
 - 5 x Brass straight connector 12mm (art. no. 1002-16-012)
 - 5 x Brass straight connector 6mm (art. no. 1002-16-06)
 - 5 x Brass straight connector 8mm (art. no. 1002-16-08)



07



01

Cutting pliers for polyamide tubes

- ▶ Item no. 1002-08-100
- ▶ Item no. 1002-08-111
- ▶ Spare blades



02

Brake rings

HGV air brake, brake screw connection

Item no.	Ring model	Sealing ring model
6464-12-16	12 x 16	10 x 14
6464-14-18	14 x 18	12 x 17
6464-16-22	16 x 22	15 x 19
6464-18-22	18 x 22	16 x 20
6464-22-27	22 x 27	20 x 24



03

Pipe support clamps

Rubberised

- ▶ Product description
- Full galvanized steel
- RSGU
- Rubberized



Item no.	Pipe diameter	Band	Hole Ø
5542-6-12	6 mm	12 mm	5,3 mm
5542-6-15	6 mm	15 mm	6,4 mm
5542-8-12	8 mm	12 mm	5,3 mm
5542-8-15	8 mm	15 mm	6,4 mm
5542-8-20	8 mm	20 mm	8,4 mm
5542-9-12	9 mm	12 mm	5,3 mm
5542-10-12	10 mm	12 mm	5,3 mm
5542-10-15	10 mm	15 mm	6,4 mm
5542-12-12	12 mm	12 mm	5,3 mm
5542-12-15	12 mm	15 mm	6,4 mm
5542-15-12	15 mm	12 mm	5,3 mm
5542-15-15	15 mm	15 mm	6,4 mm
5542-15-20	15 mm	20 mm	8,4 mm
5542-18-15	18 mm	15 mm	6,4 mm
5542-20-15	20 mm	15 mm	6,4 mm
5542-20-20	20 mm	20 mm	8,4 mm
5542-25-12	25 mm	12 mm	5,3 mm
5542-25-15	25 mm	15 mm	6,4 mm
5542-25-20	25 mm	20 mm	8,4 mm
5542-30-15	30 mm	15 mm	6,4 mm
5542-30-20	30 mm	20 mm	8,4 mm
5542-35-15	35 mm	15 mm	6,4 mm
5542-40-20	40 mm	20 mm	8,4 mm
5542-50-15	50 mm	15 mm	6,4 mm

04

Polyamide tubes

Pressure-resistant to 15 bar, 25 metre coil, DIN 73378

Item no.	Ø x wall thickness
1002-54-06	6 x 1.0 mm
1002-54-08	8 x 1.0 mm
1002-54-10	10 x 1.0 mm
1002-54-12	12 x 1.5 mm
1002-54-15	15 x 1.5 mm





01
Support sleeves

Item no.	Tube
1002-54-061	6 x 1,0
1002-54-081	8 x 1,0
1002-54-101	10 x 1,0
1002-54-121	12 x 1,5
1002-54-151	15 x 1,5



02
Cutting rings

Item no.	Tube
1002-54-062	6 x 1,0
1002-54-082	8 x 1,0
1002-54-102	10 x 1,0
1002-54-122	12 x 1,5
1002-54-152	15 x 1,5



03
Nuts

Item no.	Tube
1002-54-063	6 x 1,0
1002-54-083	8 x 1,0
1002-54-103	10 x 1,0
1002-54-123	12 x 1,5
1002-54-153	15 x 1,5



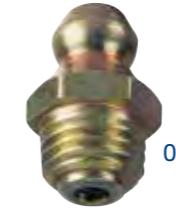
04
Threaded fittings
incl. 2 cutting rings

Item no.	Tube
1002-54-064	6 x 1,0
1002-54-084	8 x 1,0
1002-54-104	10 x 1,0
1002-54-124	12 x 1,5
1002-54-154	15 x 1,5



05
Lubricator nipple
DIN 71412, H 1

Item no.	Model
6986-40	M6 x 1
6986-41	M8 x 1
6986-42	M10 x 1



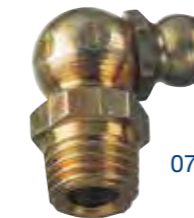
06
Lubricator nipple
DIN 71412, H2

Item no.	Model
6986-50	M6 x 1
6986-51	M8 x 1
6986-52	M10 x 1



07
Lubricator nipple
DIN 71412, H 3

Item no.	Model
6986-60	M6 x 1
6986-61	M8 x 1
6986-62	M10 x 1



08
Assortment of screwed connections

► Item no. 1957-54-016

Inhalt: 123 Teile

- 10 x Cutting ring 6 (art. no. 1002-54-062)
- 10 x Cutting ring 8 (art. no. 1002-54-082)
- 8 x Cutting ring 10 (art. no. 1002-54-102)
- 8 x Cutting ring 12 (art. no. 1002-54-122)
- 5 x Cutting ring 15 (art. no. 1002-54-152)
- 10 x Union nut 6 (art. no. 1002-54-063)
- 10 x Union nut 8 (art. no. 1002-54-083)
- 8 x Union nut 10 (art. no. 1002-54-103)
- 8 x Union nut 12 (art. no. 1002-54-123)
- 5 x Union nut 15 (art. no. 1002-54-153)
- 10 x Supporting sleeve 6 x 1 (art. no. 1002-54-061)
- 10 x Supporting sleeve 8 x 1 (art. no. 1002-54-081)
- 8 x Supporting sleeve 10 x 1 (art. no. 1002-54-101)
- 8 x Supporting sleeve 12 x 1 (art. no. 1002-54-121)
- 5 x Supporting sleeve 15 x 1,5 (art. no. 1002-54-151)



08

01

Lashing strap

8 m x 50 mm, 5t, DIN EN 12195-2 tested STF 300 daN

► Item no. 1002-55-355

► Technical specifications

- width: 50 mm
- Length: 8 m (7.5 m belt / 0.5 m ratchet)
- Preload force: STF 300 daN
- Tractive force: 2,500 daN
- Hand force: SHF 50 daN
- tested according to DIN EN 12195-2
- Temperature range: -40°C to +100°C
- Elongation: 5%.
- abrasion- and abrasion-resistant
- Pointed hook and pressure ratchet
- with GS mark
- highly reinforced polyester fabric



02

Long lever tensioning strap

8 m x 50 mm, DIN EN 12195-2 tested STF 500 daN

► Item no. 1002-55-358

► Technical specifications

- width: 50mm
- Length: 8 metres (7.5 metre belt, 0.5 metre ratchet) with pointed hook
- Preload force: STF 500 daN
- Tractive force: 2,500 daN
- Hand force: SHF 50 daN
- tested according to DIN EN 12195-2
- Temperature range: -40°C to +100°C
- Elongation 5%
- abrasion- and abrasion-resistant
- Hook and Ergo pull ratchet with hand lever protection
- with GS mark
- highly reinforced polyester fabric



03

Loose end for lashing strap

7.5 m with pointed hook

► Item no. 1002-55-357

► Technical specifications

- width: 50 mm
- Length: 7.5 m Strap with pointed hook
- Preload force: SHF 50 daN
- Tractive force: 2,500 daN
- tested according to DIN EN 12195-2
- Temperature range: -40°C to +100°C
- Elongation 5%
- abrasion- and abrasion-resistant
- with hook
- with GS mark
- highly reinforced polyester fabric



01

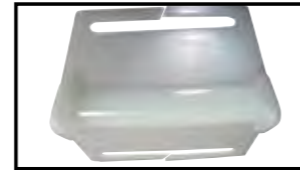
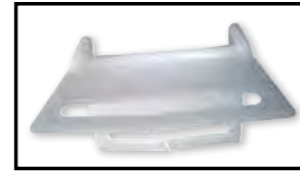
Edge protection for tension belts

Protection from sharp-edged loads

▶ Item no. 1002-55-2

▶ Product description

- Dimensions: 100 mm x 100 mm
- Can be used for 90° angles
- Slotted, 45° bevel for simple threading of the tension belt
- Protects the belt from sharp, rough edges
- The strap guide and side lugs prevent the edge-protection corners from slipping or falling off
- Better distribution of pre-tensioning forces



01

02

Anti-slip mat

Regupol 7210 LS

▶ Item no. 1002-56

▶ Product description

- Dimensions: 5 m long x 25 cm wide
- Thickness: 8 mm
- Resistant to: UV rays, sodium chloride, weak acids and alkalis
- Cleaning: shake out, vacuum, wash, possibly using a high-pressure cleaner
- Colour: black with dark green, light green and yellow colour particles
- Reusable



02

01

Tarpaulin repair plaster

Extreme adhesion

- ▶ Item no. 1001-190-1
- ▶ Colour: white

- ▶ Item no. 1001-190-2
- ▶ Colour: silver

▶ Product description

- Highly tear-resistant PVC fabric (OEM tarpaulin material)
- Extreme adhesion, self adhesive on one side
- Adhesive: Special adhesive resistant to weather and ageing
- Tear resistance: 2,500 N/5 cm to DIN EN ISO 1421/ VI
- Tear-propagation resistance: 270 N (to DIN 53363)
- Weight: 650 g/m
- Thermal stability: -30°C to +70°C
- Best adhesion at temperatures from: +10°C to 25°C
- Weather-resistant and durable
- UV-resistant and resistant to washing brushes



01



01

Pressure roller

For tarpaulin welding

- ▶ Item no. 1010-100-1



01

02

Buckle strap

Width 20 mm

- ▶ Item no. 1010-60-350
- ▶ Length: 350 mm, hole spacing: 22 mm
- ▶ Item no. 1010-60-500
- ▶ Length 500 mm, hole spacing: 22 mm



02

03

Tarp hooks

For rotational lock, reinforced with rounded edges, polyamide 6

Item no.	Model	Hole spacing	Hole Ø
1010-30-01	silver	20 mm	3 mm



03

04

Flat hooks

galvanised

Item no.	Model	Hole spacing	Hole Ø
1010-30-11	20 x 2 mm	20 mm	3 mm



04

05

Three-hole tarp hooks

Plastic, grey

Item no.	Model	Hole Ø
1010-30-21	45 x 40 mm	3 mm



05

06

Rubber plug

Adjustable, 280 mm x 40 mm

- ▶ Item no. 1010-70-500



06

07

Rubber tension ring

Ø 8 mm, black

- ▶ Item no. 1010-70-200
- ▶ Length: 200 mm
- ▶ Item no. 1010-70-250
- ▶ Length: 250 mm
- ▶ Item no. 1010-70-400
- ▶ Length: 400 mm



07

08

S-hooks

galvanised

Item no.	Model
1010-31-030	3.0 x 30 mm
1010-31-042	4.2 x 45 mm



08

09

Strap cramp

For 36 and 40 mm round eyelets and 42 x 22 mm oval eyelets, galvanised

Item no.	Height	Hole spacing	Hole Ø
1010-20-025	25 mm	51 mm	5 mm
1010-20-030	30 mm	51 mm	5 mm
1010-20-038	38 mm	51 mm	5 mm



09

10

Buckle strap

For 38 x 8 mm and 40 x 10 mm slotted eyelets, galvanised

Item no.	Height	Hole spacing	Hole Ø
1010-24-220	20 mm	51 mm	5 mm



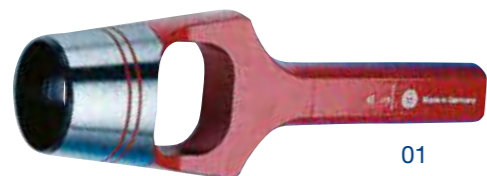
10

01

Hollow punch
round

▶ Item no. 1010-91-040

- ▶ Product description
- Hollow punch, round forged version
 - Diameter 40 mm



01

02

Die
round

▶ Item no. 1010-90-040

- ▶ Product description
- Ø 40 mm



02

04

Twist clamp
for expander and tarp rope

- ▶ Item no. 1010-032-08
- ▶ 8 mm
- ▶ Item no. 1010-032-10
- ▶ 10 mm



04

05

Rope end closure
with simplex hook, galvanised

- ▶ Item no. 1010-50-008
- ▶ Ø 8 mm
- ▶ Item no. 1010-50-010
- ▶ Ø 10 mm



05

03

Round eyelet
Galvanised

▶ Item no. 1010-10-040

- ▶ Product description
- Diameter 40 mm
 - In accordance with DIN 7332



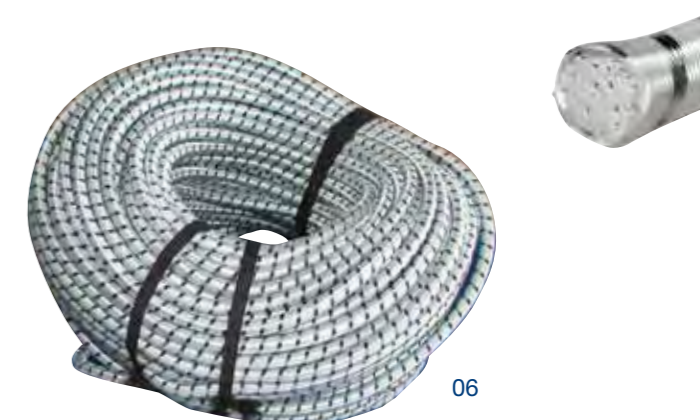
03



06

Expander rope
100 m roll

- ▶ Item no. 1010-536-100
- ▶ Ø 8 mm
- ▶ Item no. 1010-537-100
- ▶ Ø 10 mm



06

07

Tarpaulin rope
Ø 8 mm

- ▶ Item no. 1010-532-100
- ▶ Transparent, length: 100 m
- ▶ Item no. 1010-535-100
- ▶ Sisal translucent, length: 100 m



07

01

Thermal paper rolls
for digital tachographs

► Item no. 1003-1-190

► Product description

- Tested by the German Federal Motor Transport Authority to E1-190
- Sale packaging unit = 3 x 10m rolls
- Width: 57 mm
- Paper weight: 60 g
- Top-coated (front and rear coated for optimum protection)



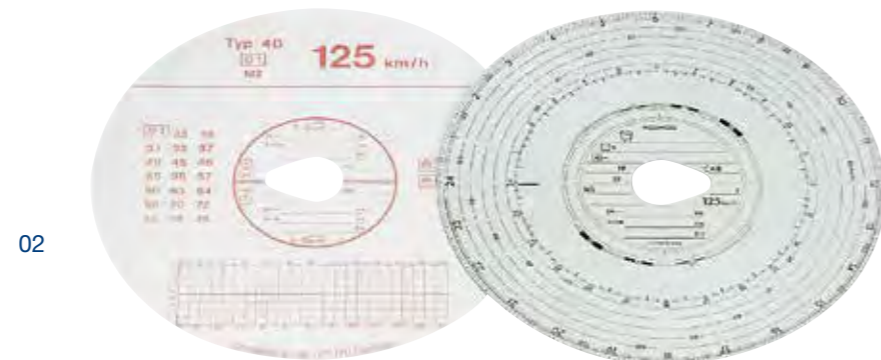
01

02

Speed-time chart

1 pack = 100 discs

Item no.	
1003-100-01	Universal, 100km/h
1003-125-01	Universal, 125 km/h
1003-140-01	Universal, 140 km/h
1003-125-05	Universal, 180 km/h
1003-125-02	electrical evaluation, 125 km/h



02

03

Overvoltage protection

► Item no. 4982-500

► Product description

- For commercial vehicles and cars
- Suppresses voltage peaks
- LED connection display
- No unclamping of battery when welding
- No reprogramming of radio, clock, etc.
- Significant time savings



03

04

Battery charging clips

Item no.	Model
7771-16-200	Red 200 A PCV
7771-16-201	Black 200 A PCV
7771-35-600	Red 600 A CV
7771-35-601	Black 600 A CV



04

05

Battery jumper cables

Item no.	Ø / mm ²	Length	Figure
7771-16	16	3,0 m	2
7771-35	35 mit Überspannungsschutz	4,5 m	1
7771-50	50	5,0 m	2



05.1



05.2



01
Awl

► Item no. 9879-978



01

02
T-handle

► Item no. 9879-975



02

03
Penetrating awls
Length: 11.5 cm

► Item no. 9879-976



03



01
Tyre probes
 Diam. 10 mm, PU: 10

▶ Item no. 9879-92-10

02
Tyre probes
 Diam. 4.5 mm, PU: 10

▶ Item no. 9879-92-04



03
Miller
 Diameter 6mm

▶ Item no. 9879-93-06

04
Tread roller
 for tyre probes

▶ Item no. 9879-91-2

05
Special rubber milling cutter
 For roughening the inner surface
 of tyres

▶ Item no. 9879-91-1



03



04



05

01

Zinc striking weights for FORD steel rims type 187

Zinc striking weights for FORD steel rims type 187

► Technical specifications

- Genuine part for FORD Transit and FORD Transit Custom 05/2014



01

Item no.	Weight	Item no.	Weight
9836-187-10	10 g	9836-187-40	40 g
9836-187-15	15 g	9836-187-45	45 g
9836-187-20	20 g	9836-187-50	50 g
9836-187-25	25 g	9836-187-55	55 g
9836-187-30	30 g	9836-187-60	60 g
9836-187-35	35 g		

03

Striking weight for 15° tapered rims

Lead, from 22,5 x 6,75 to 26,50 x 12,00



03

Item no.	Weight	Item no.	Weight
9836-32-75	75 g	9836-32-250	250 g
9836-32-50	50 g	9836-32-300	300 g
9836-32-100	100 g	9836-32-350	350 g
9836-32-150	150 g	9836-32-400	400 g
9836-32-200	200 g		

02

Zinc striking weights for steel rims type 164

For steel rims type 164

► Technical specifications

- Genuine part for MERCEDES-BENZ Sprinter
 - For steel rims on French vehicles
 - For steel rims on light commercial vehicles (with greater material thickness)
 - FORD Transit up to 2013
 - VW Crafter



02

Item no.	Weight	Item no.	Weight
9836-164-5	5 g	9836-164-35	35 g
9836-164-10	10 g	9836-164-40	40 g
9836-164-15	15 g	9836-164-45	45 g
9836-164-20	20 g	9836-164-50	50 g
9836-164-25	25 g	9836-164-55	55 g
9836-164-30	30 g	9836-164-60	60 g



01
Commercial vehicle valve
Alligator, CVV

- ▶ Item no. 9879-530-40
- ▶ 40 mm
- ▶ Item no. 9879-530-47
- ▶ 47 mm
- ▶ Item no. 9879-530-60
- ▶ 60 mm



02
Valve
For tubeless commercial vehicle tyres, straight version

- ▶ Item no. 9879-800-41
- ▶ 9.7 x 41 mm



03
Metal valve
For vans, PCVs and vehicles with high tyre pressure

- ▶ Item no. 9879-413-40
- ▶ 40 mm
- ▶ Item no. 9879-414-47
- ▶ 47 mm
- ▶ Product description
 - Pressure-resistant up to 14 bar
 - Wrench size 11
 - High-temperature seal for peak temperatures of over +150°C



04
Tyre valve insert tool
Coated in plastic

- ▶ Item no. 9879-54-041
- ▶ Product description
 - Length: 290 mm



05
Extension cap with seal
Check valve

- ▶ Item no. 9879-66



06
Valve extension
Air-Flexx, steel, flexible

- ▶ Item no. 9879-700-145
- ▶ 145 mm
- ▶ Item no. 9879-700-185
- ▶ 185 mm
- ▶ Item no. 9879-700-215
- ▶ 215 mm



07
Valve extension
Plastic, rigid

- ▶ Item no. 9879-74
- ▶ 115 mm
- ▶ Item no. 9879-75
- ▶ 150 mm
- ▶ Item no. 9879-76
- ▶ 170 mm



06

06

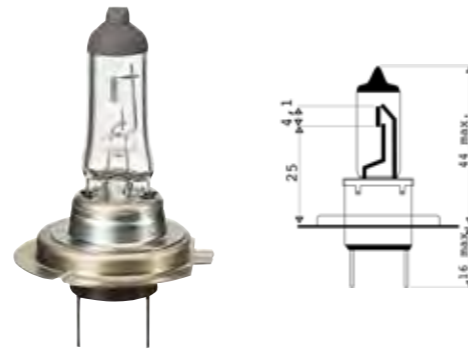
H7

- Up to 100% more light on the road
- Up to 100% longer life (LL)



Item no.	Implementation	Base
3720-064-274	24V H7 70W HD LL, Osram Truckstar Pro	Px26d

H7

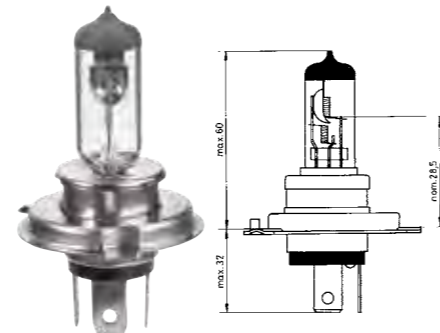


Item no.	Implementation	Base
3720-064-273	24V H7 70W HD LL	Px26d

Item no.	Implementation	Base
3723-064-211	24V H7 70W	Px26d



H4



Item no.	Implementation	Base
3720-064-272	24V H4 70/75W HD LL	P43t

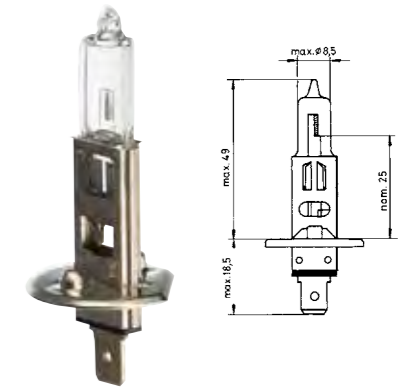
Item no.	Implementation	Base
3723-064-196	24V H4 70/75W	P43t
3723-064-197	24V H4 70/75W HD	P43t



H1

Item no.	Implementation	Base
3720-064-270	24V H1 70W HD LL	P14.5s

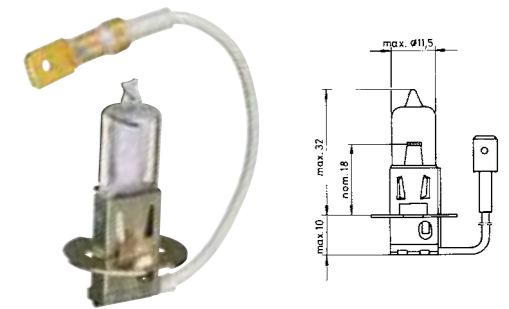
Item no.	Implementation	Base
3723-064-155	24V H1 70W	P14.5s



H3

Item no.	Implementation	Base
3720-064-271	24V H3 70W HD LL	PK22s

Item no.	Implementation	Base
3723-064-151	24V H3 70W	PK22s



H11

Item no.	Implementation	Base
3720-064-217	24V H11 70W	PGJ19-2

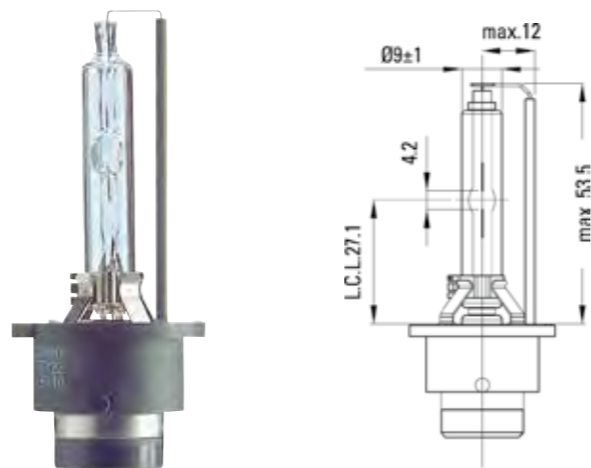


01

Gas discharge headlight bulb D2S
XENON

► Item no. 3720-064-222

- Product description
- For projector headlights
- Approx. 4,100 Kelvin
- Voltage: 12 to 85
- Base: D2S
- Wattage: 35

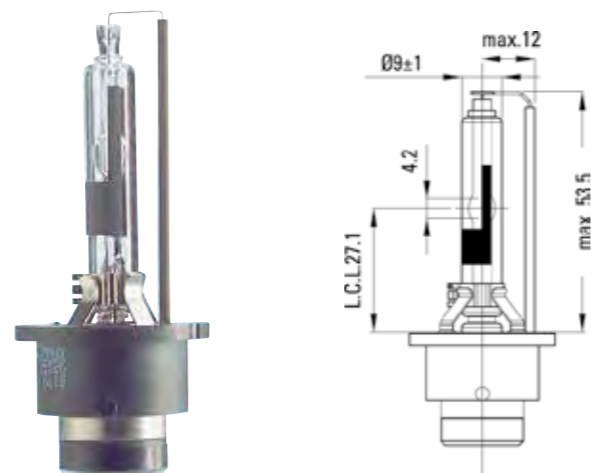


02

Gas discharge headlight bulb D2R
XENON

► Item no. 3720-064-223

- Product description
- For reflector headlights
- Approx. 4,000 Kelvin
- Voltage: 12 to 85
- Base: D2R
- Wattage: 35

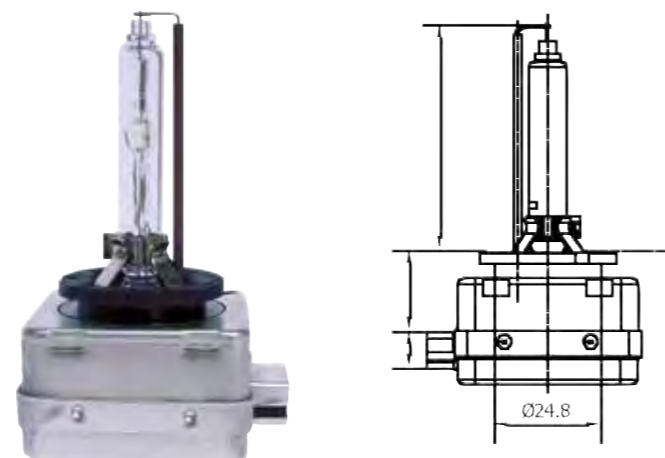


03

Gas discharge headlight bulb D1S
XENON

► Item no. 3720-064-224

- Product description
- Approx. 4,000 Kelvin
- Base: D1S
- Wattage: 35

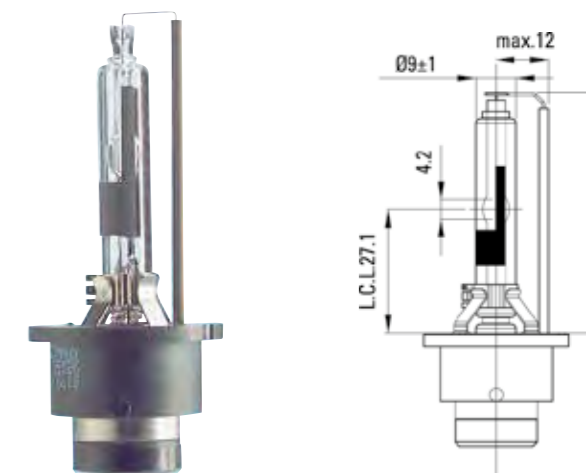


04

Electric discharge lamp

- Product description
- No mercury
- Nominal voltage 42 Volt

- Model
- Item no. 3720-064-225
- D3S 35W 3200 Lumen
- Item no. 3720-064-226
- D4S 35W 3200 Lumen
- Item no. 3720-064-227
- D4R 35W 2800 Lumen



BA15s base

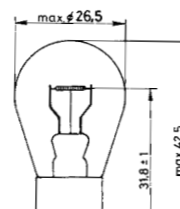
- ▶ Item no. 3720-075-35
- ▶ 18W

- ▶ Item no. 3720-075-11
- ▶ 21W

- ▶ Item no. 3720-752-1
- ▶ 21W HD LL

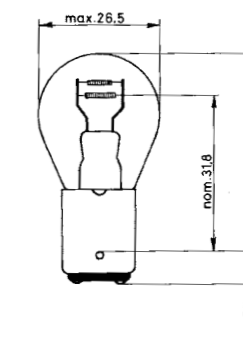
- ▶ Item no. 3723-075-11
- ▶ 21W Normlight

- ▶ Item no. 3723-751-1
- ▶ 21W HD Normlight



BAY15d base

- ▶ Item no. 3720-075-37
- ▶ 21/5W



BA15s base

- ▶ Item no. 3720-056-27
- ▶ 5W

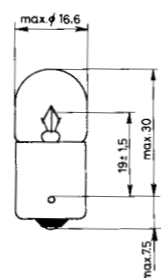
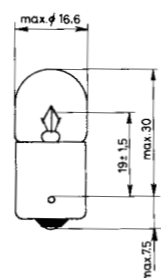
- ▶ Item no. 3720-752-3
- ▶ 5W HD LL

- ▶ Item no. 3720-056-37
- ▶ 10W

- ▶ Item no. 3720-752-5
- ▶ 10W HD LL

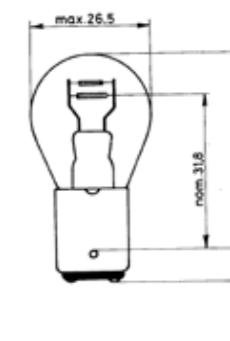
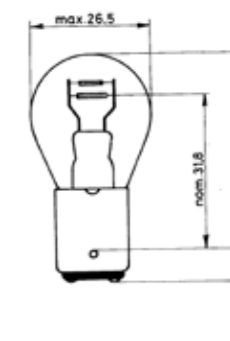
- ▶ Item no. 3723-562-7
- ▶ 5W HD Normlight

- ▶ Item no. 3723-563-7
- ▶ 10W HD Normlight



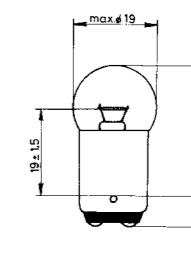
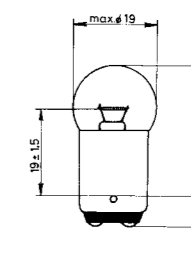
BAZ15D base

- ▶ Item no. 3720-075-47
- ▶ 21/4W



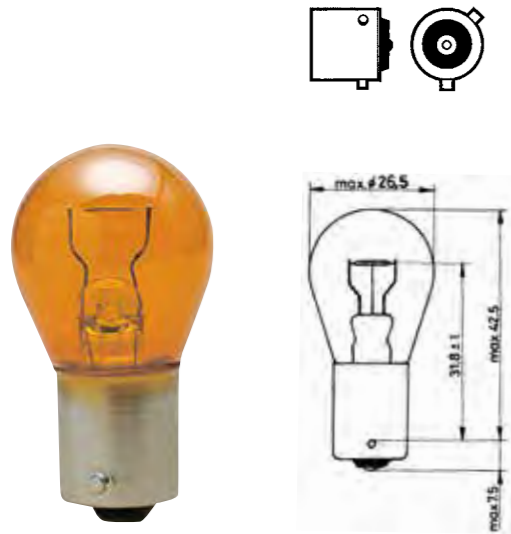
BA15s base

- ▶ Item no. 3720-056-26
- ▶ 5W



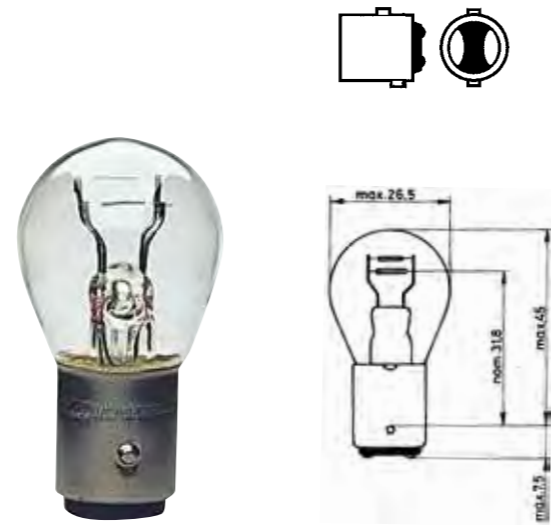
BAU15s base

- ▶ Item no. 3720-752-2
- ▶ 21W HD LL amber (yellow)



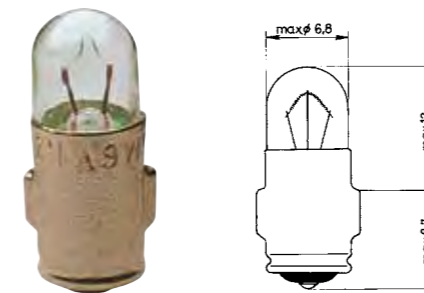
BAY15d base Normlight

- ▶ Item no. 3723-075-37
- ▶ 21/5W



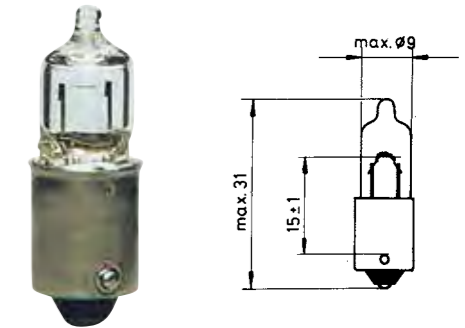
BA7s base

- ▶ Item no. 3720-038-99
- ▶ 3W



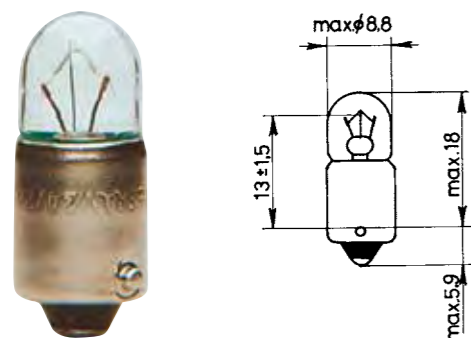
BAY9s base

- ▶ Item no. 3720-075-13
- ▶ 21W Halogen



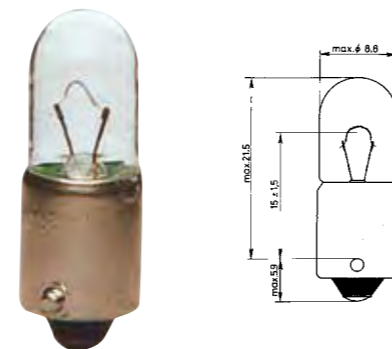
BA9s base

- ▶ Item no. 3720-039-30
- ▶ 4W
- ▶ Item no. 3720-752-6
- ▶ 4W HD LL
- ▶ Item no. 3720-037-97
- ▶ 2W



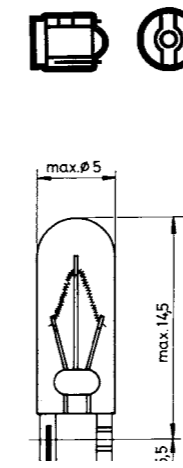
BA9s base

- ▶ Item no. 3723-393-0
- ▶ 4W HD



W2x4.6d base

- ▶ Item no. 3720-027-41
- ▶ 1.2W

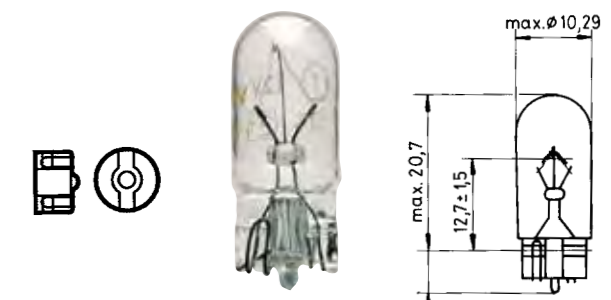


- ▶ W2,1x9:5d base Item no. 3720-028-40
- ▶ 2W



- ▶ Item no. 3720-028-41
- ▶ 3W
- ▶ Item no. 3720-028-45
- ▶ 5W

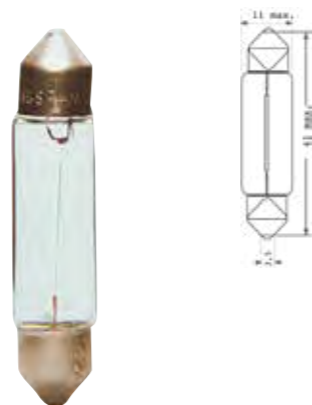
- ▶ Item no. 3723-028-45
- ▶ 5W Normlight



Soffitte 8, 5-8

41 mm

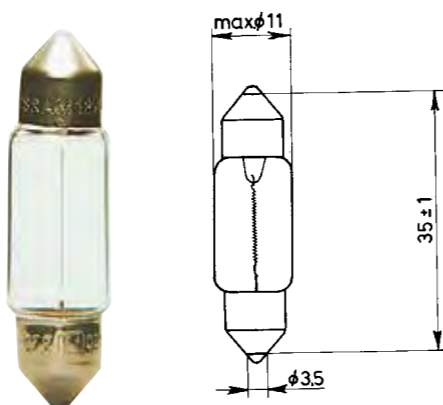
Item no.	Implementation
3720-064-24	5W
3720-064-29	10W



Soffitte 8, 5-8

35 mm

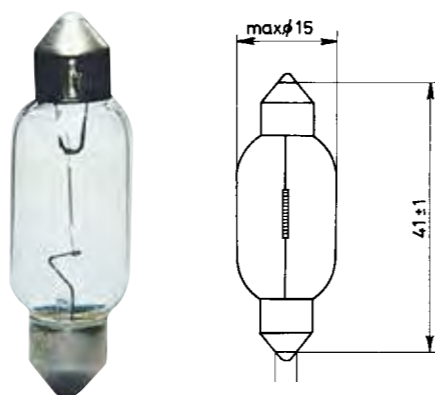
Item no.	Implementation
3720-064-23	5W



Soffitte 8, 5-8

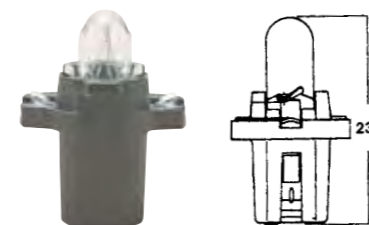
41 mm

Item no.	Implementation
3720-064-80	18W



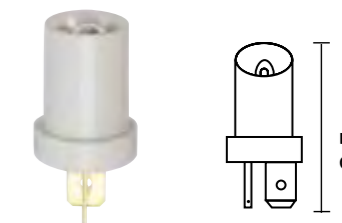
B8,3d

- ▶ Item no. 3720-027-404
- ▶ 1.2W grey



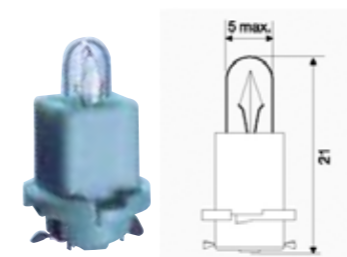
B9

- ▶ Item no. 3720-027-603
- ▶ 2.4W white



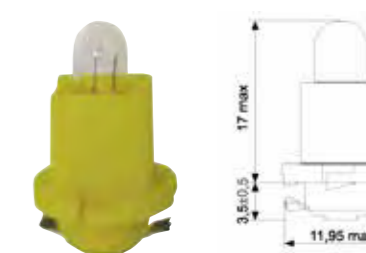
EBS R11

- ▶ Item no. 3720-027-420
- ▶ 1.2 W green suitable for Volvo



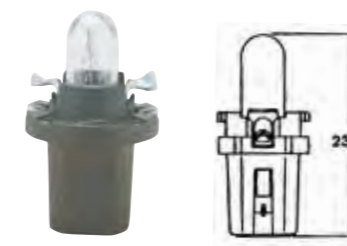
EBS R4

- ▶ Item no. 3720-027-605
- ▶ 1.2W, yellow



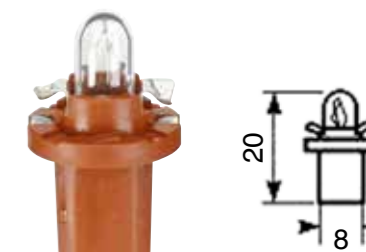
B8,5d

- ▶ Item no. 3720-027-419
- ▶ 1.2W, grey, suitable for tachographs



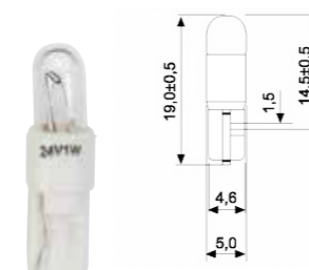
Bx8,5d

- ▶ Item no. 3720-027-600
- ▶ 1.2W, brown



KW2x4,6D

- ▶ Item no. 3720-027-606
- ▶ 1W white





01

Empty bulb box with foam insert for H1 and H7

► Item no. 3720-03-222

► Product description

Replacement bulb box for 24 V and 12 V lights
With liner for H7 and H1 bulbs and additional
places for fuses and tail-light bulbs.



01

02

Box for replacement HGV bulbs 24 V H7/H1

► Item no. 3723-030
► Contents: 22 pieces

► Product description

Contents:

1 x 3723-064-155 Main headlight H1
1 x 3723-064-211 Main headlight H7
2 x 3723-393-0 Parking light 4 W HD
2 x 3723-563-7 Tail light 10 W HD
8 x 3723-075-11 Indicator and brake light 21 W
2 x 3720-064-29 Festoon 8.5-8 10 W
2 x 3731-010 Fuse 10 A
2 x 3731-015 Fuse 15 A
2 x 3731-020 Fuse 20 A
2 x 3731-025 Fuse 25 A



02

03

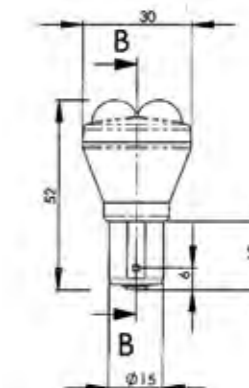
Glowpoint LED

With shatter-proof casing

► Item no. 3720-075-15

► Product description

- Voltage: 24
- Base: BA15s
- Wattage: 1 W
- Long service life: up to 10,000 operating hours
- Safety: is increased due to high luminance
- Saves energy and costs



03